



AVM552B



HD 1080P



Vari-focal Lens



MicroSD Card
Recording



External I/O



PoE



Solid Light



Mobile
Surveillance



WDR

ETS



2MP Vari-focal IP Camera

FEATURES

- Equipped with a **vari-focal lens of f2.8 ~ 12 mm**, suitable for various monitoring environments
- MicroSD card support (up to 64GB) for **video storage**
- **External alarm I/O device** connection



- **POE (Power-over-Ethernet)** support to eliminate the use of power cables and reduce installation costs
- **ONVIF** (**ONVIFS**) standard supported to simplify system integration
- IR LED built-in for **night surveillance** with max effective range up to 35 meters
- **WDR** to increase image recognizability in overexposure and dark areas
- Excellent outdoor ID design with **cable management**
- **Solid Light** series featuring better overexposure prevention (Advanced Smart Light Control), automatic adjustment of image brightness, and longer lifetime of LEDs

SOLID LIGHT

Smart & Efficient Lighting Solution

- Longer IR Effective Distance
- Longer LED Lifetime
- Advanced Smart Light Control

- **Remote Surveillance**
 - **Fully compatible** with **iOS** and **Android** devices, and **Internet Explorer** on Windows operating system
 - **Push Video** available on your iOS and Android devices when used with Push Video NVR series.



○ SPECIFICATIONS

| ■ Network | |
|----------------------------|--|
| LAN Port | YES |
| LAN Speed | 10/100 Based-T Ethernet |
| Supported Protocols | DDNS, PPPoE, DHCP, NTP, SNTP, TCP/IP, ICMP, SMTP, FTP, HTTP, RTP, RTSP, RTCP, IPv4, Bonjour, UPnP, DNS, UDP, IGMP, QoS, SNMP |
| ONVIF Compatible | YES (Profile S) |
| Number of Online Users | 10 |
| Security | (1) Multiple user access levels with password (2) IP address filtering (3) Digest authentication |
| Remote Access | (1) Internet Explorer on Windows operating system (2) 16CH Video Viewer on Windows & MAC operating system (3) EagleEyes on iPhone, iPad & Android mobile devices |
| ■ Video | |
| Video Compression | H.264 (Main Profile) / MJPEG |
| Resolution | 1920 x 1080 / 1280 x 720 / 720 x 480 / 352 x 240 |
| Frame Rate | 30/25 fps |
| Multiple Video Streaming | 4 (H.264, MJPEG) |
| ■ General | |
| Image Sensor | 1/ 2.8" SONY CMOS image sensor |
| Min Illumination | 0.1 Lux / F1.4(Wide)~F2.8(Tele), 0 Lux (LED ON) |
| Shutter Speed | 1/10,000 ~ 1/7.5 (Slow shutter) |
| S/N Ratio | More than 48dB (AGC off) |
| Lens | f2.8 ~ 12mm / F1.4 ~ F2.8 |
| Viewing Angle | Wide: 103° (Horizontal) / 54° (Vertical) / 122° (Diagonal) Tele: 31° (Horizontal) / 17° (Vertical) / 36° (Diagonal) |
| IR LED | 2 Units |
| IR Effective Range** | Default: up to 25 meters ; IR Enhanced Mode: up to 35 meters |
| IR Shift | YES |
| Smart Light Control | YES |
| White Balance | ATW |
| AGC | Auto |
| IRIS Mode | AES |
| WDR | YES |
| Privacy Mask | YES |
| POE (Power-over-Ethernet) | YES (IEEE 802.3af) |
| External Alarm I/O | YES |
| MicroSD Card Slot | YES (up to 64GB) |
| IP Rating | IP66 |
| Startup Temperature | 0°C~40°C |
| Operating Temperature | -25°C ~ 50°C |
| Power Source (±10%) | 12V / 1A |
| Current Consumption (±10%) | 700mA |
| Power Consumption (±10%) | 10.5W (PoE) ; 10.5W (PoN) ; 8.4W (DC Adapter) |
| Dimensions(mm)*** | 254(L) × 91(W) × 193(H) |



○ SPECIFICATIONS (CONTINUED)

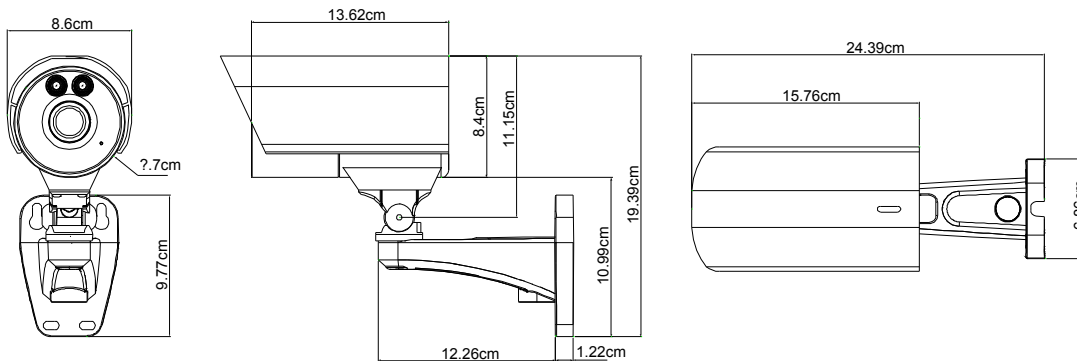
■ Others

| | |
|-----------------------------------|---|
| Mobile Surveillance | iOS & Android |
| Event Notification | FTP / Email / SMS |
| Digital Pan / Tilt / Zoom | YES |
| Motion Detection | YES |
| RTC (real-time clock) | YES |
| Minimum Web Browsing Requirements | <ul style="list-style-type: none"> • Intel core i3 or higher, or equivalent AMD • 2GB RAM • AGP graphics card, Direct Draw, 32MB RAM • Windows 8, Windows 7, Windows Vista & Windows XP, DirectX 9.0 or later • Internet Explorer 7.x or later |

*The specifications are subject to change without notice

** Using IR enhanced mode and slow shutter speed, the distance can be extended even longer.

○ DIMENSIONS

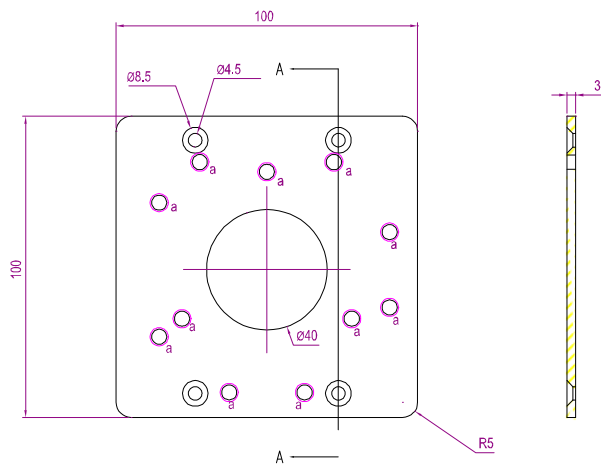


Dimensional tolerance: ± 5mm

○ OPTIONAL CONNECTOR

■ BULLETCON1

Used as a connector to install a junction box for further applications.



Dimensional tolerance: ± 5mm